

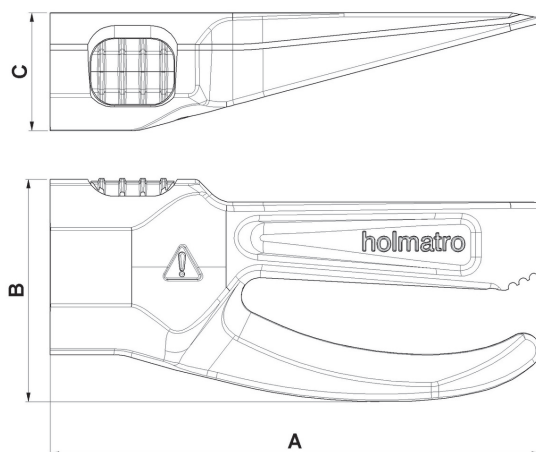
Holmatro

T1 Metal Cutting Claw MCC01

All-In-One | Breaking all Barriers



Specifications		
Article number		151.004.969
Model		MCC01
Short description		T1 Metal Cutting Claw
Weight, ready for use	kg	1.1
Dimensions (AxBxC)	mm	168 x 77 x 41



www.frsa.com.au | admin@frsa.com.au | + 61 7 3209 7422